



WorkSpace Office Systems

expression of quality & comfort

ISO 9001:2015 CERTIFIED



Seating Systems & Solution Product catalogue 2021

www.workspacefurniture.in

About us..

WORKSPACE OFFICE SYSTEMS is an ISO 9001:2015 Certified, Established and Professionally managed Company and itself as one of the leading manufacturer and supplier of Seating systems, Modular office furniture, Educational furniture, Storage solution and Home furniture.

Our mission is to be a leading supplier of office furniture products. Our goal is to focus on your needs and our challenge is to find the optimal solution.

Long Term is our philosophy, not simply with our customers, but also with our partners. .

We manufacture scientifically design, ergonomically aesthetic technically advanced office chairs, institutional furniture contemporary, trendy modular workstation, partitions, office storage systems etc...Quality, commitment, service, innovation & customer focused approach are the essential factors that have helped to established in office furniture industry

We committed to the highest standard of quality, accountability, and services .the company product line is chosen based on excellence in design, durably, and ergonomic efficiency.

www.workspacefurniture.in



WORKSPACE OFFICE SYSTEMS

expression of quality & comfort



ISO 9001:2015 CERTIFIED

Welcome To World Of Seating System & Solutions



www.workspacefurniture.in



WORKSPACE OFFICE SYSTEMS
expression of quality & comfort



Director chairs series

ISO 9001:2015 CERTIFIED





DC-01



DC/HB/02



DC/MB/02



DC/VC/02



DC/HB/03



DC/MB/03



DC/VC/03



DC-04



DC/HB/05



DC/MB/05



DC/VC/05



DC/HB/06



DC/MB/06



DC/VC/06



DC-07



DC/HB/08



DC/MB/08



DC/HB/10



DC/HB/09



DC/MB/09



DC/MB/10



DC-11



DC/HB/12



DC/MB/12



DC/HB/14



DC/HB/13



DC/MB/13



DC/MB/14



DC-15



DC/HB/16



DC/MB/16



DC/HB/18



DC/HB/17



DC/MB/17



DC/MB/18



DC-19



DC/HB/20



DC/MB/20



DC/HB/22



DC/HB/21



DC/MB/21



DC/HB/23



ISO 9001:2015 CERTIFIED

Mesh Chair Series



www.workspacefurniture.in





MC-01



MC/HB/02



MC/HB/03

MC/MB/02



MC/MB/03





MC-04



MC/HB/06



MC/HB/05



MC/MB/05



MC/MB/06





MC/HB/03



MC/MB/07



MC/MB/08



MC/HB/08



MC/MB/03



MC-09



MC/MB/10



MC/MB/10



MC/MB/11



MC/MB/11





MC/HB/10



MC/HB/13



MC/HB/12



MC/MB/12



MC/HB/13



MC/MB/13



MC/HB/06



MC/LB/14



MC/LB/14



MC/LB/15



MC/LB/16



MC/LB/17



MC/MB/18



MC/LB/19



MC/HB/07



MC/MB/20



MC/LB/21



MC/LB/22



MC/LB/23



MC/LB/24



MC/LB/25



MC-26



MC/HB/27



MC/MB/28



MC/LB/29



MC/VC/30



MC/VC/31



MC/VC/32



Executive chair Leatherite series

ISO 9001:2015 CERTIFIED



www.workspacefurniture.in



EC-01



EC/HB/02



EC/MB/02



EC/VC/02



EC/HB/03



EC/MB/03



EC/VC/03



EC/HB/05



EC/MB/05



EC/VC/05



EC/HB/06



EC/MB/06



EC/VC/06



EC-07



EC/HB/08



EC/MB/08



EC/VC/08



EC/HB/09



EC/MB/09



EC/VC/09



EC-10



EC/HB/11



EC/MB/11



EC/VC/11



EC/HB/12



EC/MB/12



EC/VC/12



Sleek Chair Series

ISO 9001:2015 CERTIFIED



www.workspacefurniture.in





www.workspacefurniture.in



SC/HB/01



SC/MB/01



SC/VC/01



SC/HB/02



SC/MB/02



SC/VC/02



www.workspacefurniture.in

SC/HB/04



SC/HB/03



SC/MB/03



SC/VC/03



SC/HB/04



SC/MB/04



SC/VC/04



SC/HB/05



SC/MB/05



SC/HB/06



SC/HB/07



SC/MB/07



SC/VC/07



www.workspacefurniture.in



SC/HB/08



SC/MB/08



SC/VC/08



SC/HB/09



SC/MB/09



SC/VC/09



ISO 9001:2015 CERTIFIED

Task chair series





WSOS



WSOS



WSOS



WSOS



WSOS

TC/HB/01

TC/MB/01

TC/VC/01



WSOS

WSOS



WSOS

WSOS



WSOS

TC/VC/02



TC/HB/03

TC/MB/03

TC/LB/03



TC/HB/04

TC/MB/04

TC/VC/04



WSOS



WSOS



WSOS



WSOS



WSOS

TC/HB/05

TC/MB/05

TC/VC/05

TC/HB/06



WSOS



WSOS



WSOS

TC/MB/06

TC/VC/06



TC/MB/07

TC/LB/07

TC/MB/08



TC/MB/08/WOH

TC/LB/09

TC/MB/10

Cafeteria Chair series







CC/11



CC/12



CC/13



CC/14



CC/15



CC/16



CC/17



CC/18



CC/19



CC/20



CC/21



CC/22



CC/23



CC/24



CC/25



CC/26



CC/27



CC/28



CC/29



CC/30

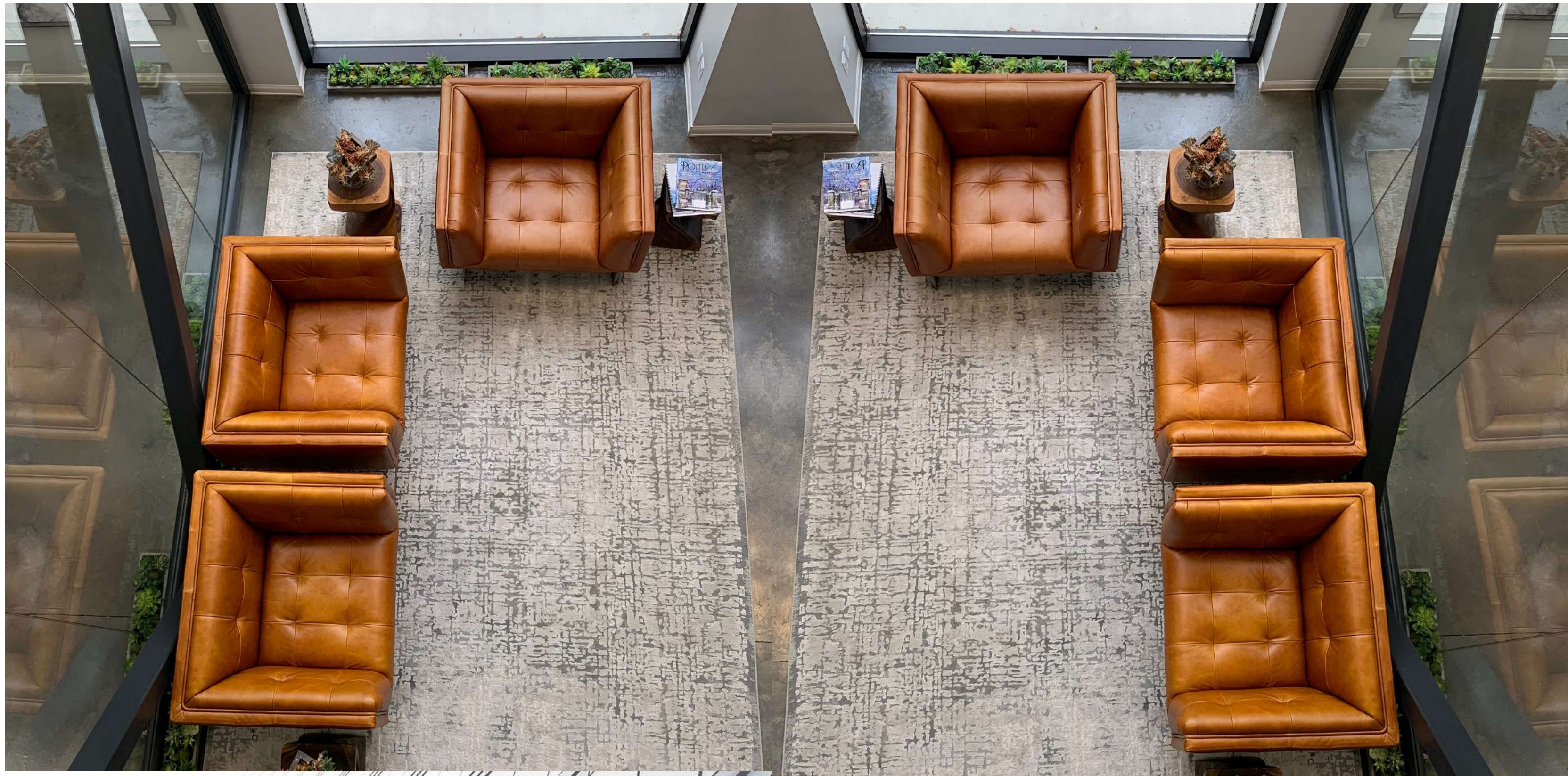


CC/31



Sofa/lounge chair series

ISO 9001:2015 CERTIFIED





Sofa-01



Sofa-02



Sofa-03



Sofa-04



Sofa-05



Sofa-06



Sofa-07



Sofa-08



Sofa-09



Sofa-10



Sofa-11



Sofa-12



Sofa-13



Sofa-14



Sofa-15



Sofa-16



Sofa-17



Sofa-18



Sofa-19



Lounge-01



Lounge-02



Lounge-03



Lounge-04



Lounge-05



Lounge-06



Lounge-07



Lounge-08

Block-seat



Paragraph-seat



Without padding



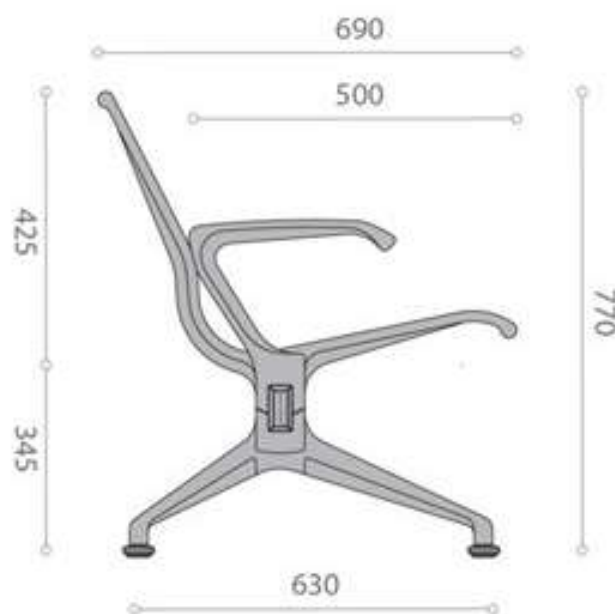
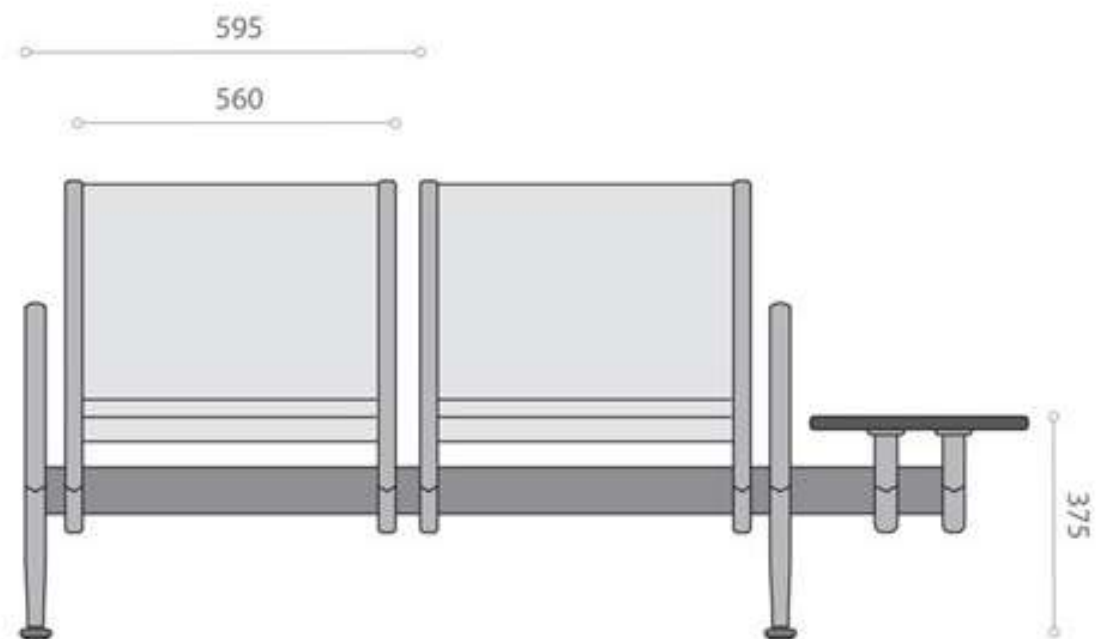
With padding



With seat padding



Lounge-09



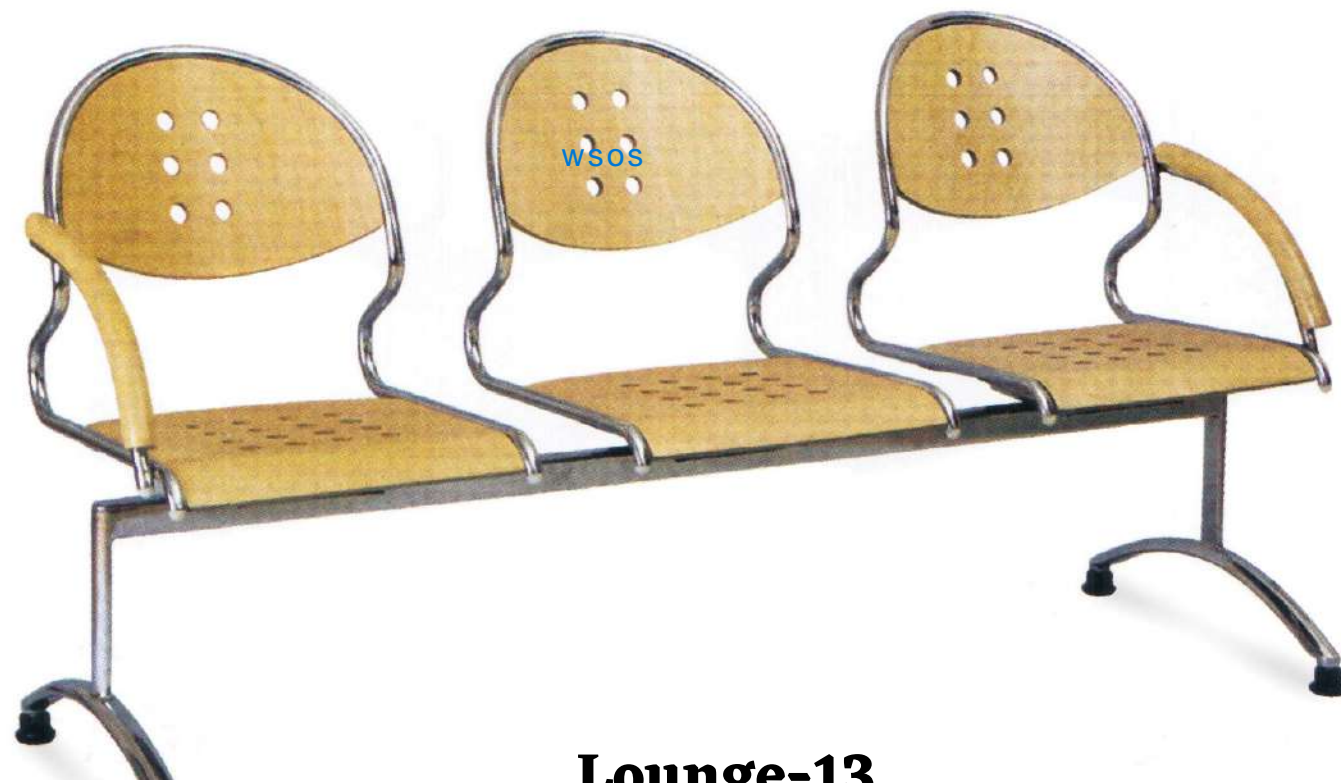
Lounge-10



Lounge-11



Lounge-12



Lounge-13



Lounge-14



ISO 9001:2015 CERTIFIED

Mob-9953076221,9560179917

Emailid-worksapceoffice11@gmail.com

website-www.workspacefurniture.in

Regd. office-1347/A,Mandawali,

Delhi -110092

Works At-C-34,sector 6,Noida,UP

Registered in-

